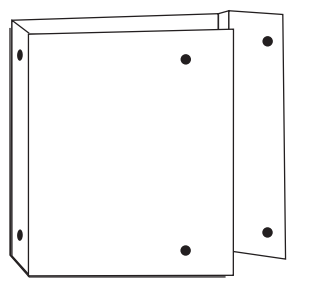
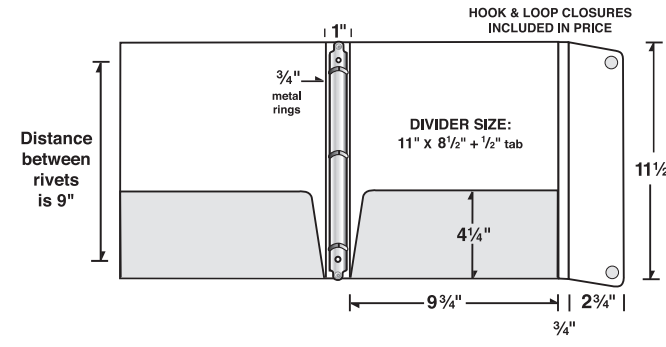
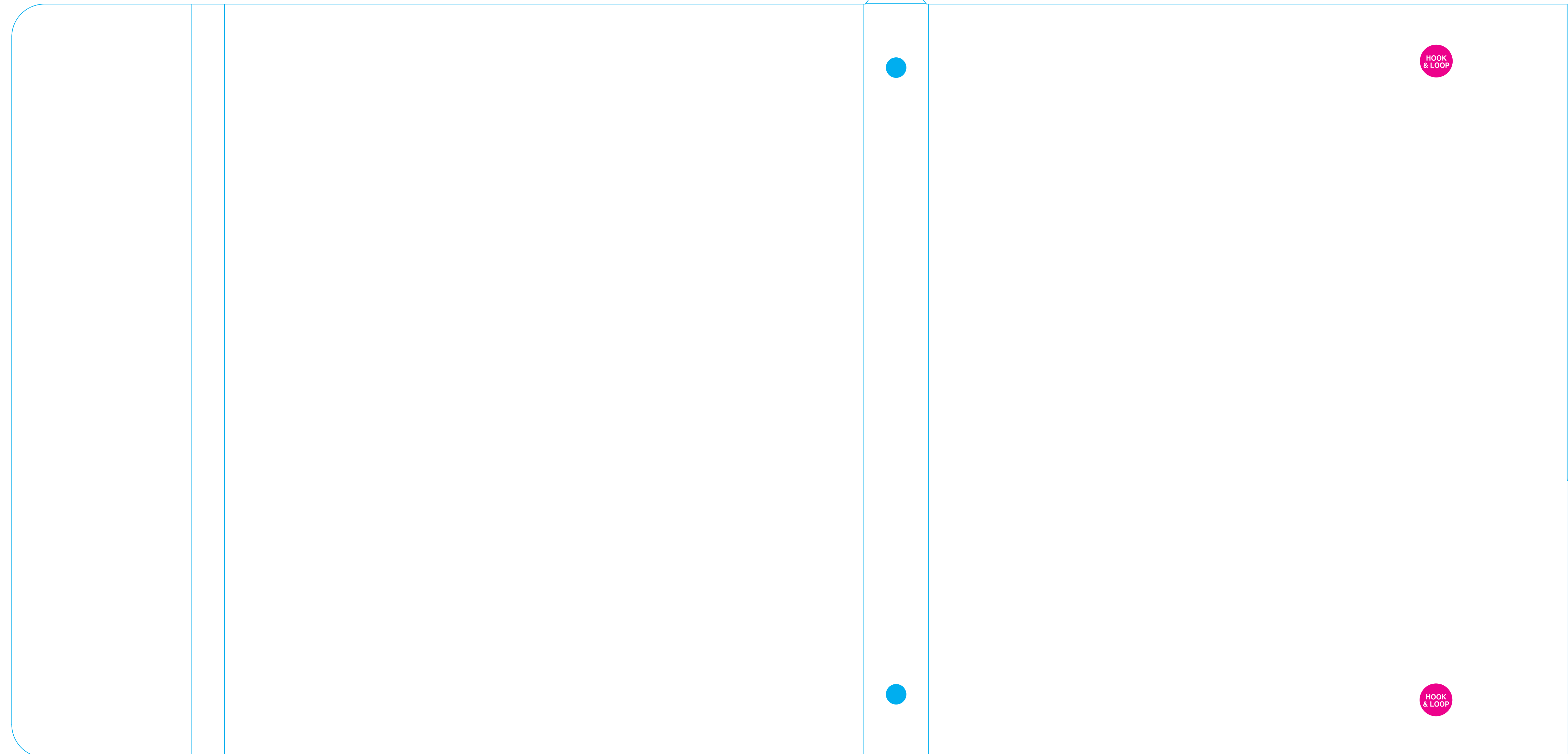




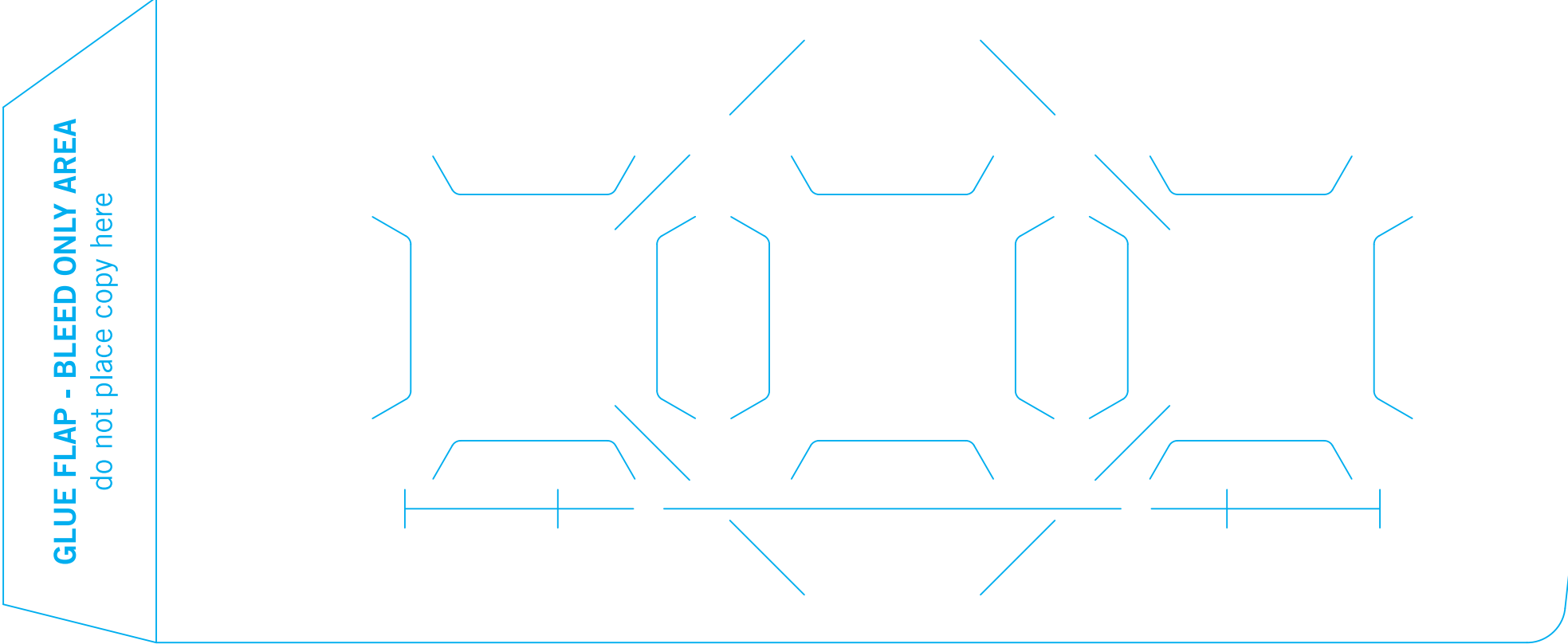
BACK COVER

FRONT COVER

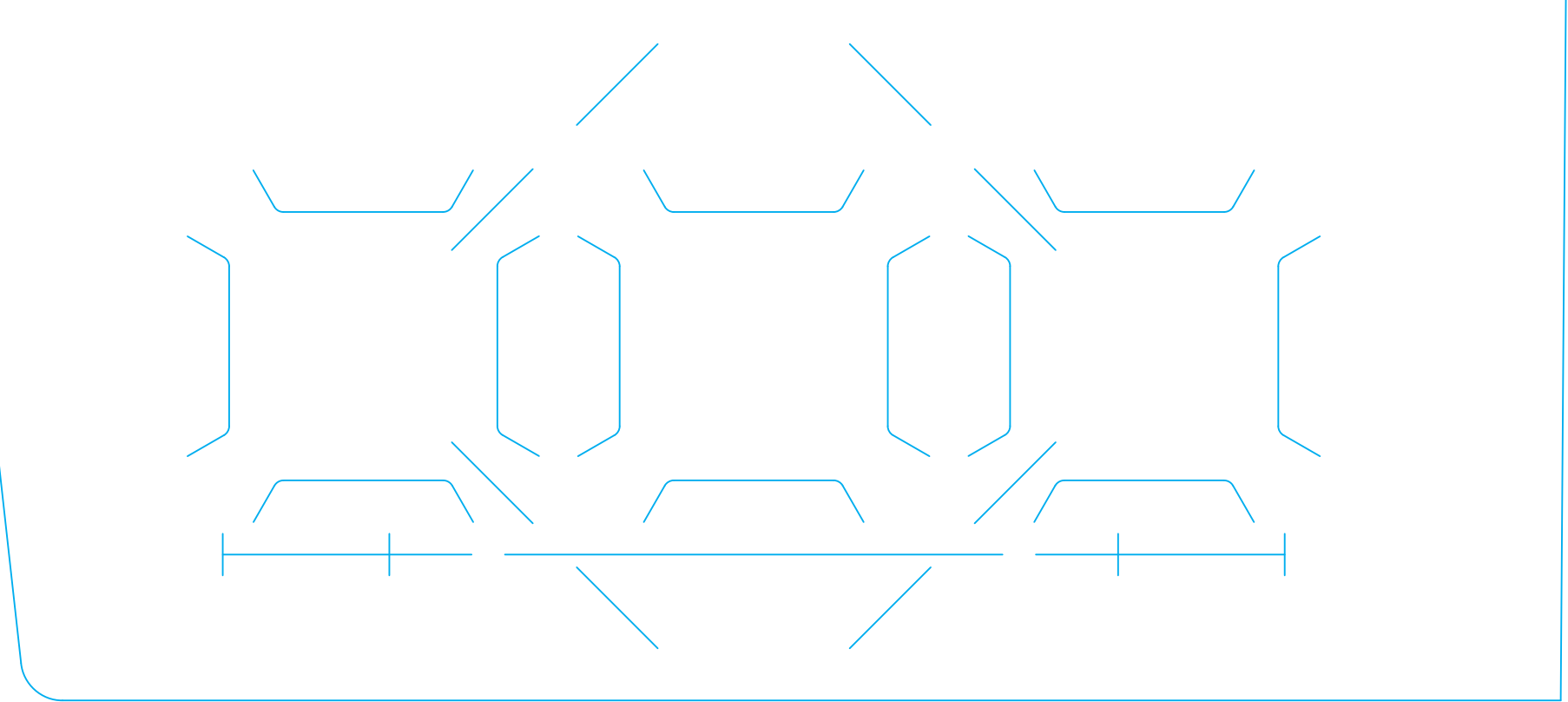


BLEEDS: Extend 1/8" past edge of Dieline

GLUE FLAP - BLEED ONLY AREA do not place copy here



RIGHT POCKET



LEFT POCKET

BLEEDS: Extend 1/8" past edge of Dieline

4 1/4"

COPY DIRECTION

COPY DIRECTION