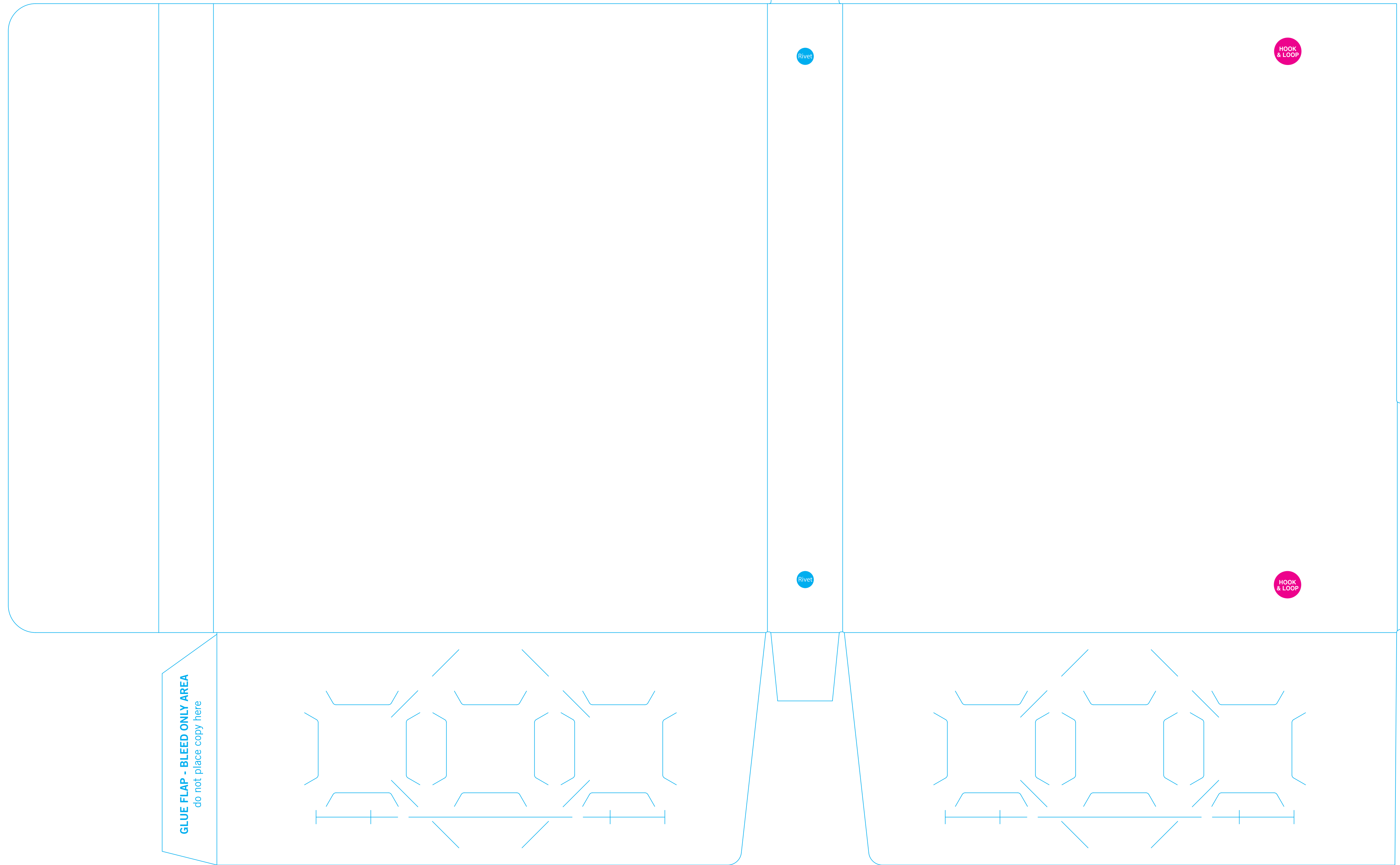


2 3/4" 1" 10 1/8" 1 3/8" 10 1/8"

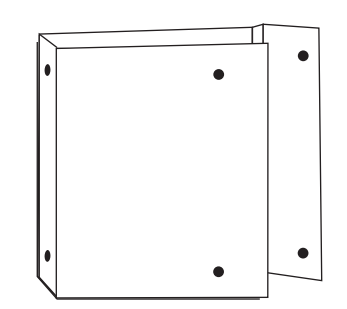
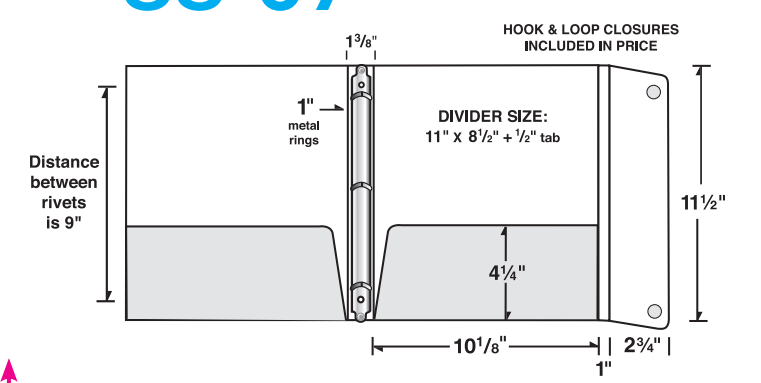
# 88-07 Binder for 1" ring mechanisms

BACK COVER

FRONT COVER



## 88-07



BLEEDS: Extend 1/4" past edge of Dieline

11 1/2"

GLUE FLAP - BLEED ONLY AREA  
do not place copy here

4 1/4"

COPY DIRECTION  
↓

RIGHT POCKET

LEFT POCKET