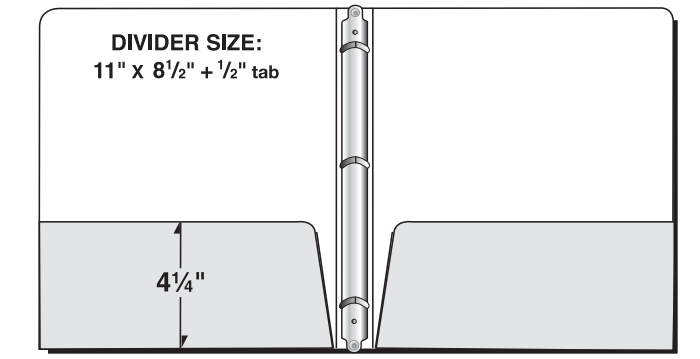


88-01-ECO



Eco-Binder Artwork Design Tips

- To keep your artwork design "green" avoid the use of solid (heavy) ink coverage.
- This item is produced on double thick (duplex) stock containing recycled fibers. This stock tends to crack at the scores when folded. To minimize this, keep ink areas (artwork) from crossing the scores of your Eco-Binder.

11 1/2"

↑ COPY DIRECTION

BLEEDS:
Extend 1/8"
past edge
of Deline

GLUE FLAP - BLEED ONLY AREA
do not place copy here

4 1/4"

↓ COPY DIRECTION

GLUE FLAP - BLEED ONLY AREA
do not place copy here

COPY DIRECTION ↓

RIGHT POCKET

LEFT POCKET