

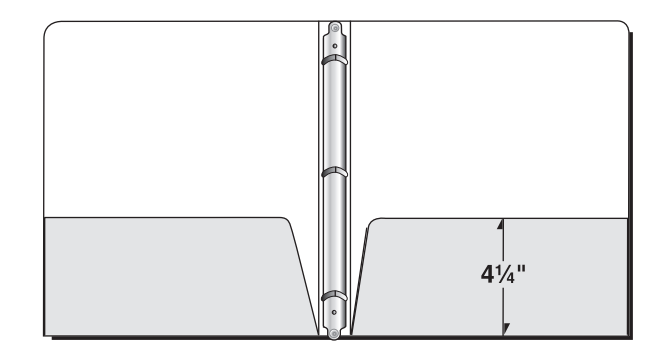
10 5/8"

2"

10 5/8"

88-01

88-01 Binder for 1.5" ring mechanisms



BACK COVER

FRONT COVER

COPY DIRECTION

BLEEDS:
Extend 1/8"
past edge
of DieLine

COPY DIRECTION

BLEEDS:
Extend 1/8"
past edge
of DieLine

11 1/2"

GLUE FLAP - BLEED ONLY AREA
do not place copy here

GLUE FLAP - BLEED ONLY AREA
do not place copy here

4 1/4"

COPY DIRECTION

COPY DIRECTION

RIGHT POCKET

LEFT POCKET

Rivet

Rivet

