

BACK COVER

FRONT COVER

BLEEDS:
Extend 1/8"
past edge
of Dieline

↑
COPY
DIRECTION

BLEEDS:
Extend 1/8"
past edge
of Dieline

↑
COPY
DIRECTION

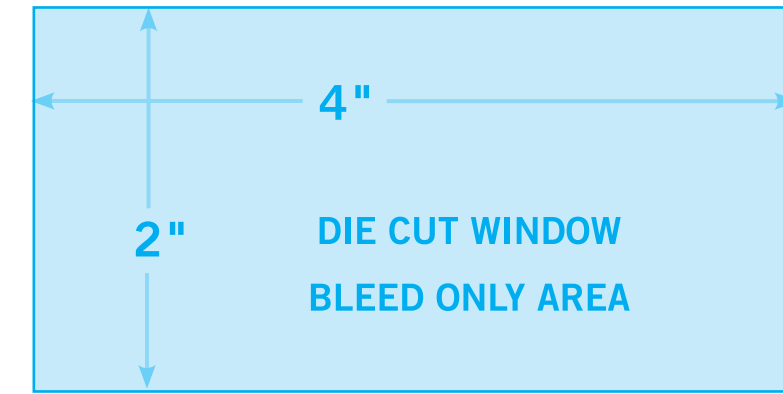
11 1/4"

11 1/4"

9 1/4"

9 1/4"

GLUE FLAP - BLEED ONLY AREA
do not place copy here



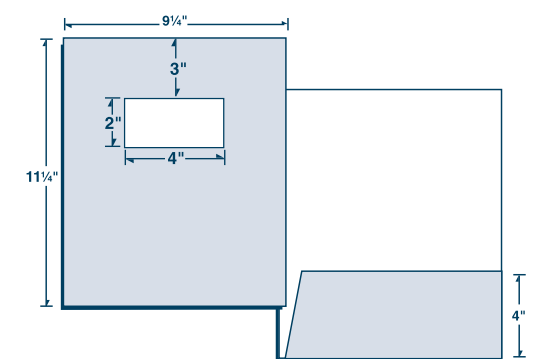
4"

BLEEDS:
Extend 1/8"
past edge
of Dieline

↓
COPY
DIRECTION

BLEEDS:
Extend 1/8"
past edge
of Dieline

BLEEDS:
Extend 1/8"
past edge
of Dieline



POCKET