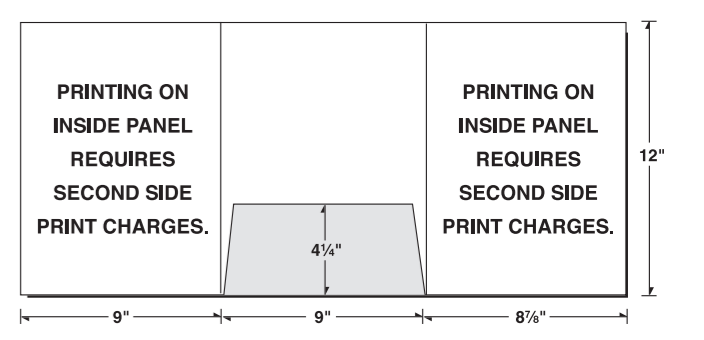
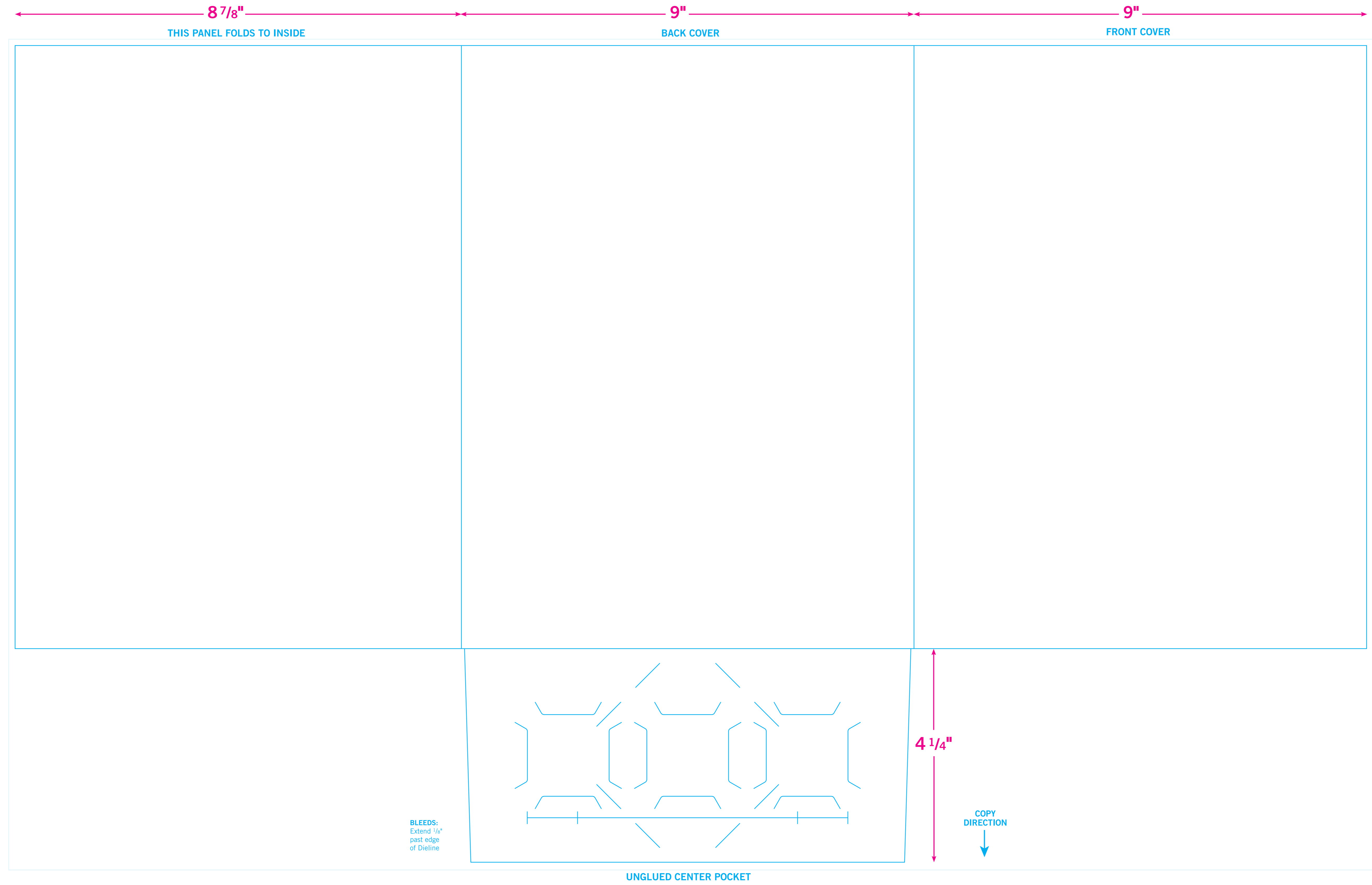


FRONT SIDE OF PRINTED SHEET

38-03

↑
COPY
DIRECTION

BLEEDS:
Extend 1/8"
past edge
of Dieline



↑
COPY
DIRECTION

BLEEDS:
Extend 1/8"
past edge
of Dieline

SECOND SIDE OF PRINTED SHEET

38-03



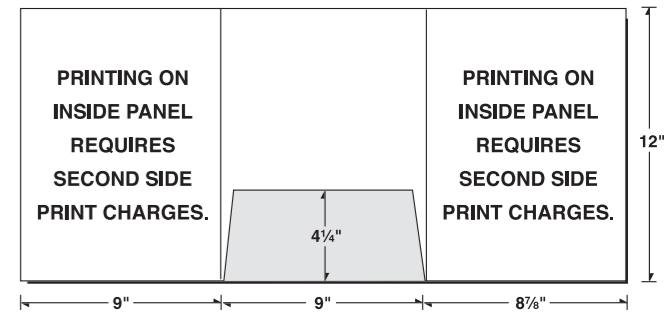
↑
COPY
DIRECTION

BLEEDS:
Extend 1/8"
past edge
of Deline

Printing on Inside Panels
Requires Second Side
Print Charges

Printing on Inside Panels
Requires Second Side
Print Charges

Printing on Inside Panels
Requires Second Side
Print Charges

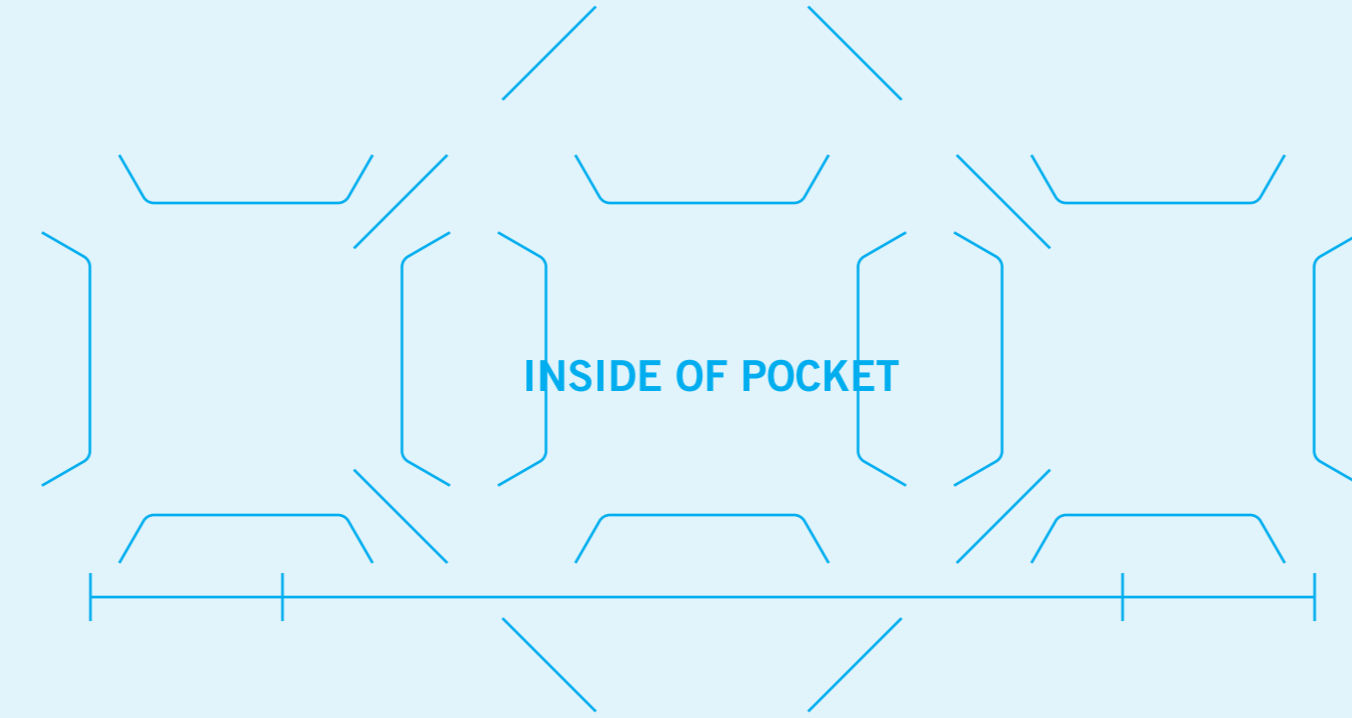


12"

↑
COPY
DIRECTION

BLEEDS:
Extend 1/8"
past edge
of Deline

Shaded area will be covered when item is folded.



4 1/4"

BLEEDS:
Extend 1/8"
past edge
of Deline

UNGLUED CENTER POCKET