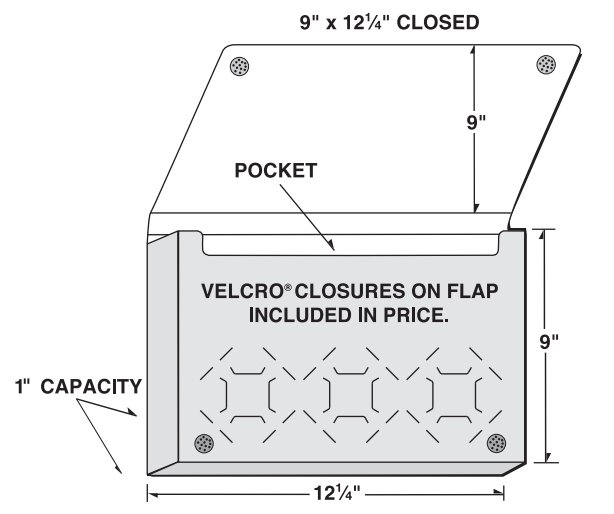


36-02



9"

Designer Tip:
Request a sample before beginning design layout. You may also find it helpful to print a reduced copy, and fold it up. This mini-mockup will help you properly place and arrange artwork.

BLEEDS:
Extend 1/8" past edge of DieLine

1"

9"

FACE PANEL
↑
COPY DIRECTION

1"

POCKET PANEL
↓
COPY DIRECTION

6"

1" 12 1/4" 1"