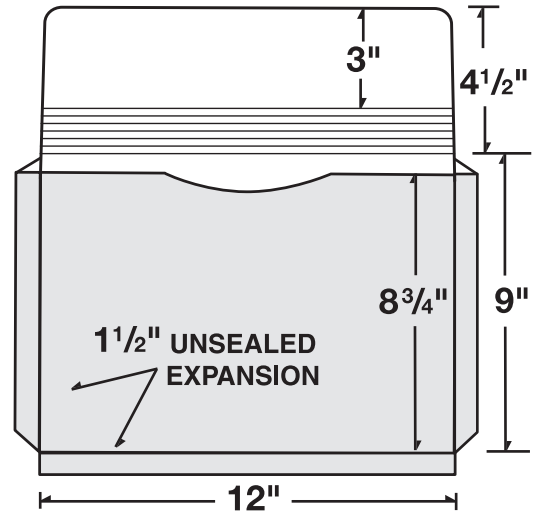


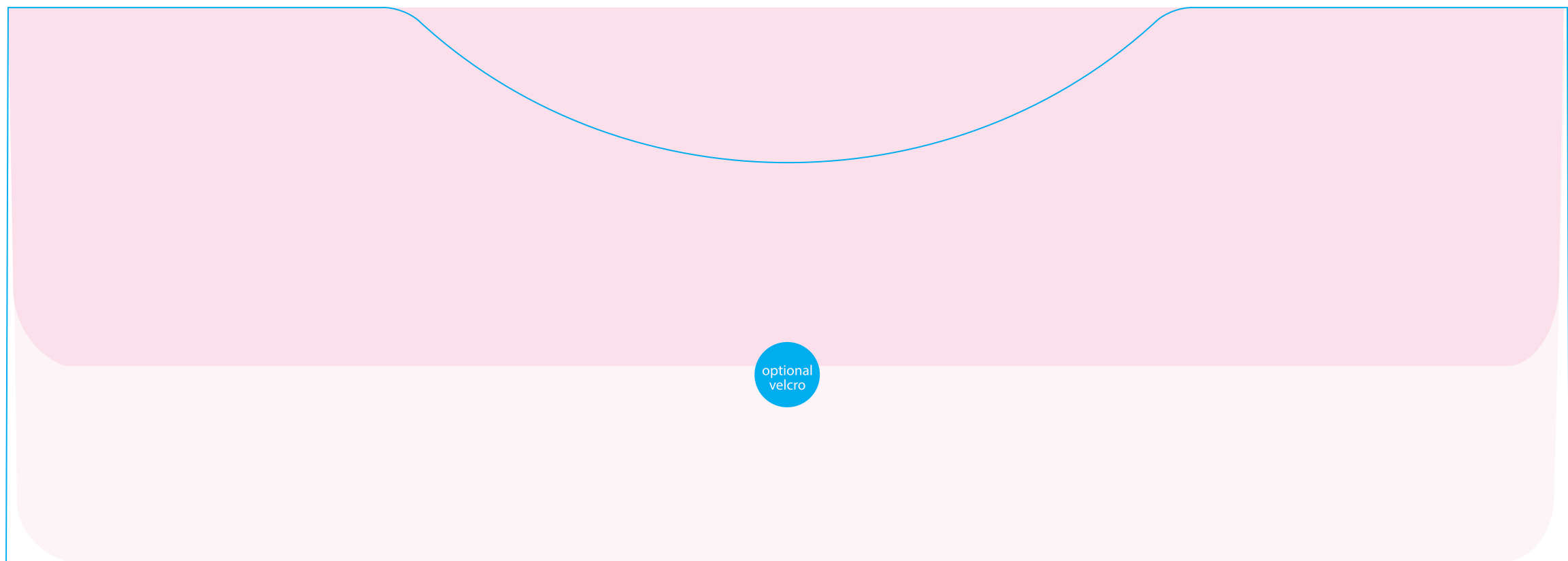
35-12



12"

FLAP position when fully EXPANDED

FLAP position when folded FLAT



8 3/4"

POCKET

POCKET PANEL
↑
COPY DIRECTION

1 1/2" unsealed expansion gusset

1 1/2" unsealed expansion gusset

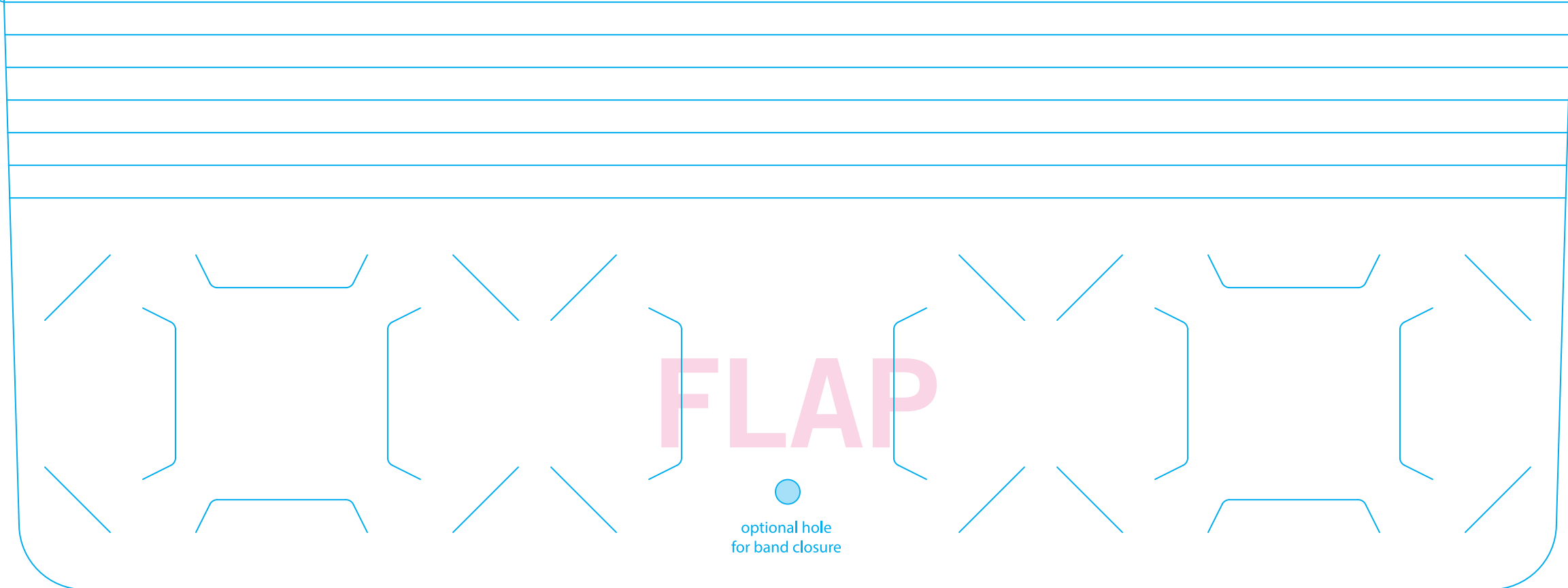


5"

BACK COVER (FACE PANEL)

FACE PANEL
↓
COPY DIRECTION

FLAP PANEL
↑
COPY DIRECTION



4 1/2"

FLAP

optional hole for band closure

12"