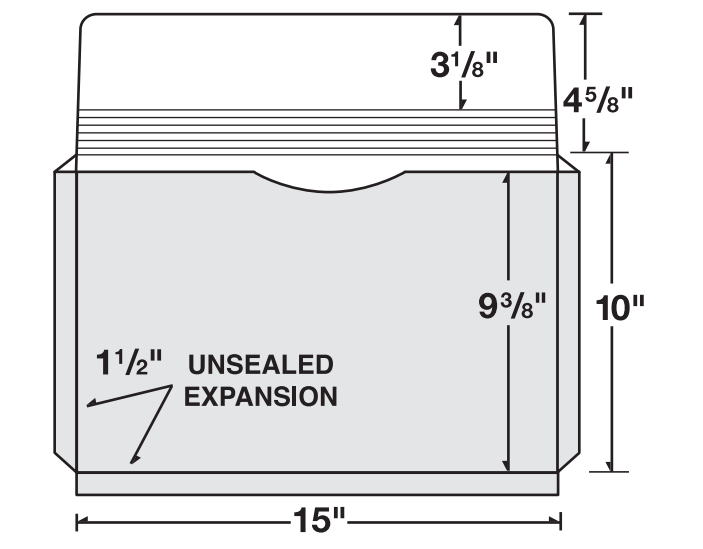


POCKET PANEL
↑
COPY DIRECTION



FLAP PANEL
↑
COPY DIRECTION