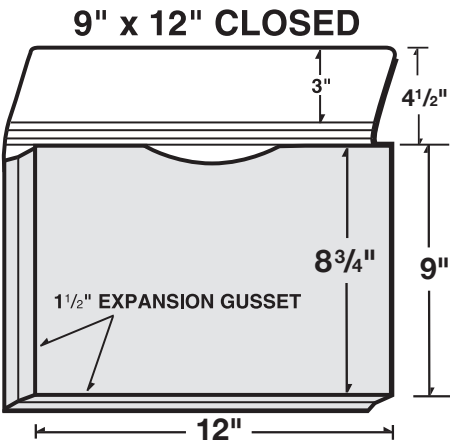
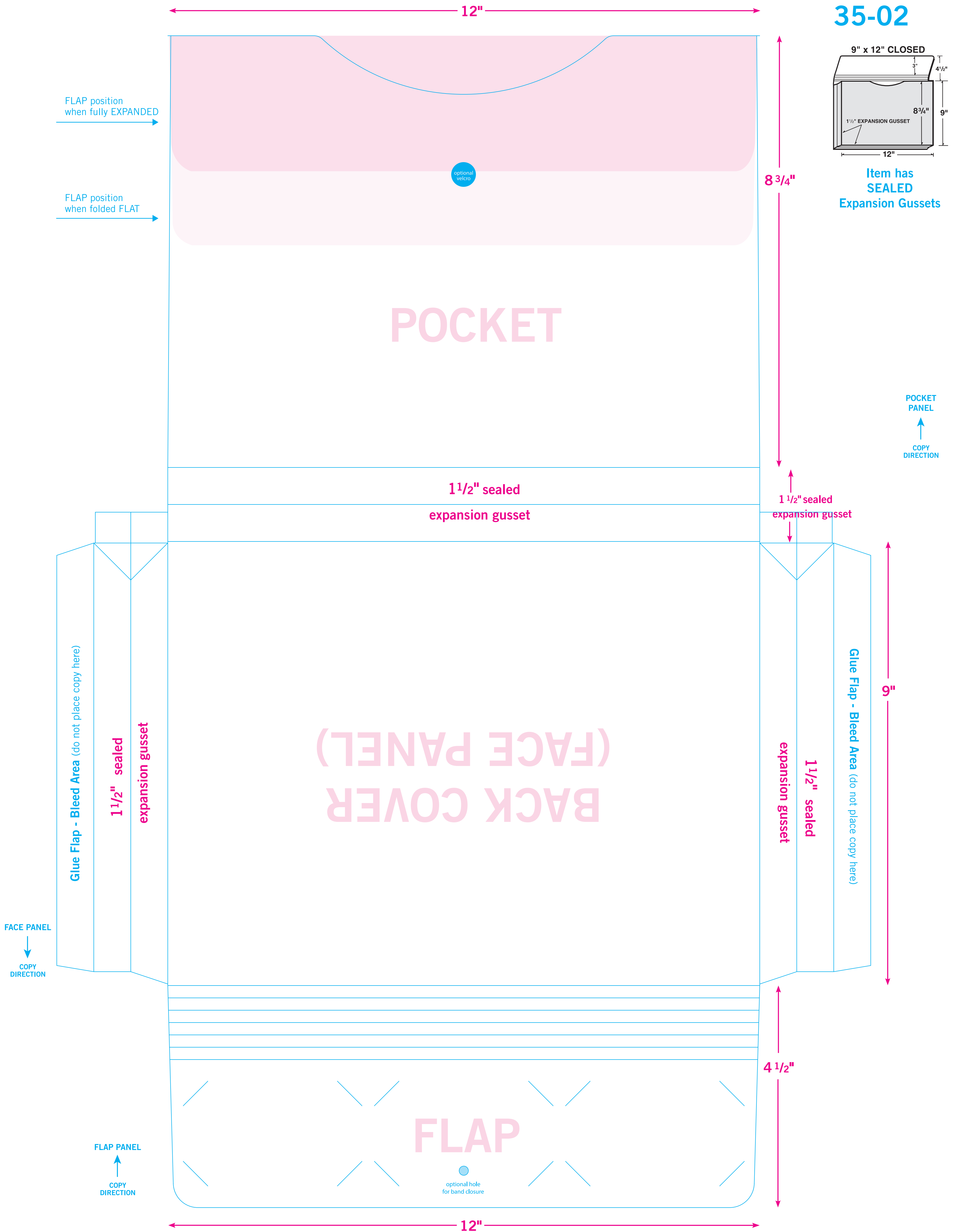


35-02



Item has SEALED Expansion Gussets



POCKET PANEL
↑
COPY DIRECTION

FACE PANEL
↓
COPY DIRECTION

FLAP PANEL
↑
COPY DIRECTION