

FRONT SIDE OF PRINTED SHEET

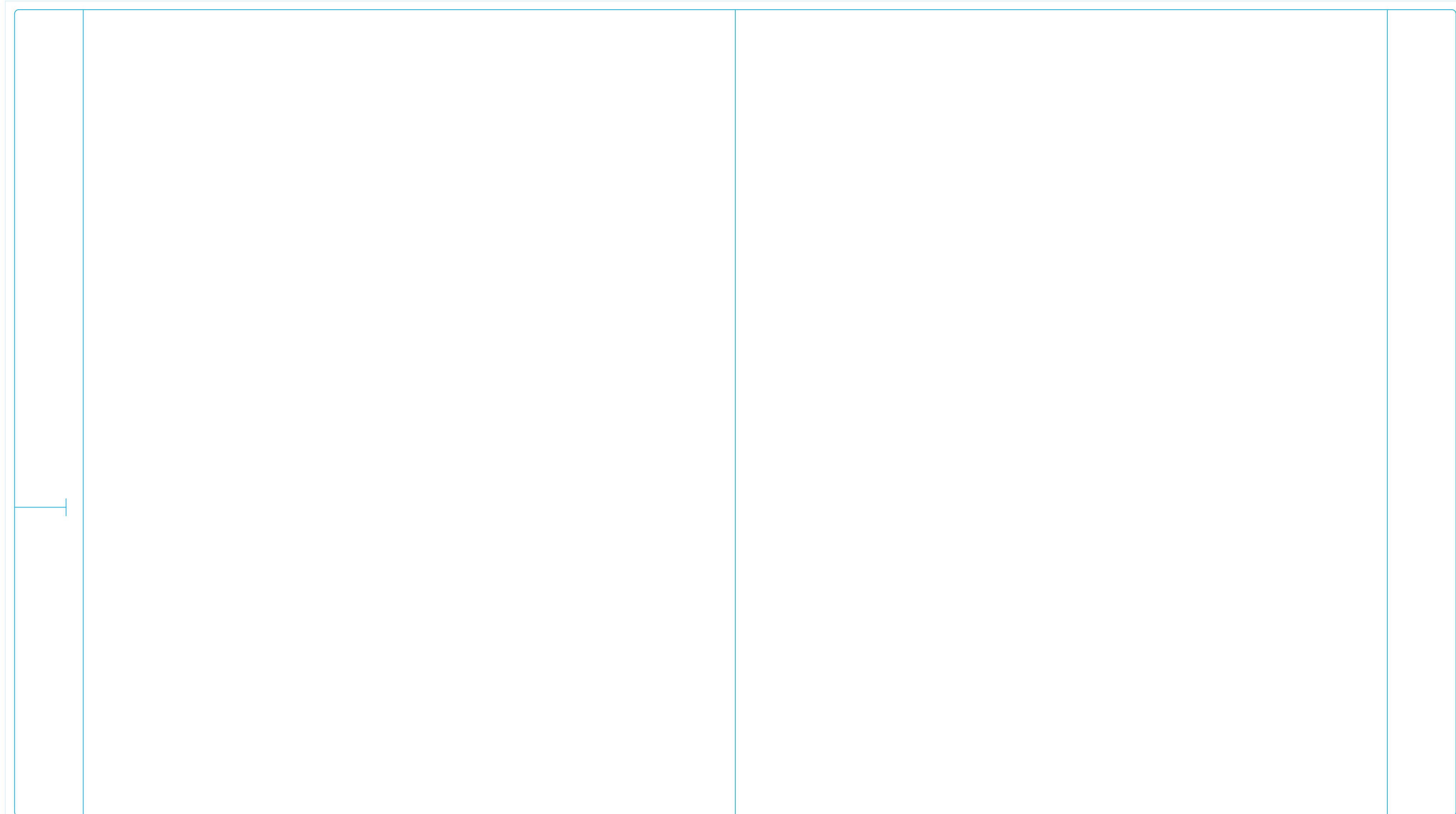
1 inch reinforced edge

9.5" BACK COVER

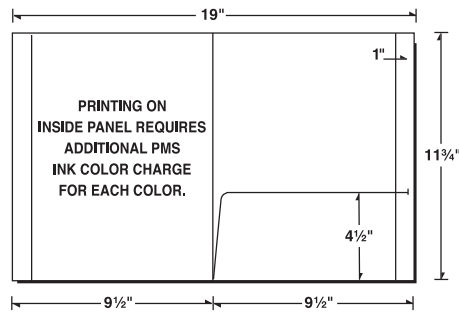
9.5" FRONT COVER

1 inch reinforced edge

29-74

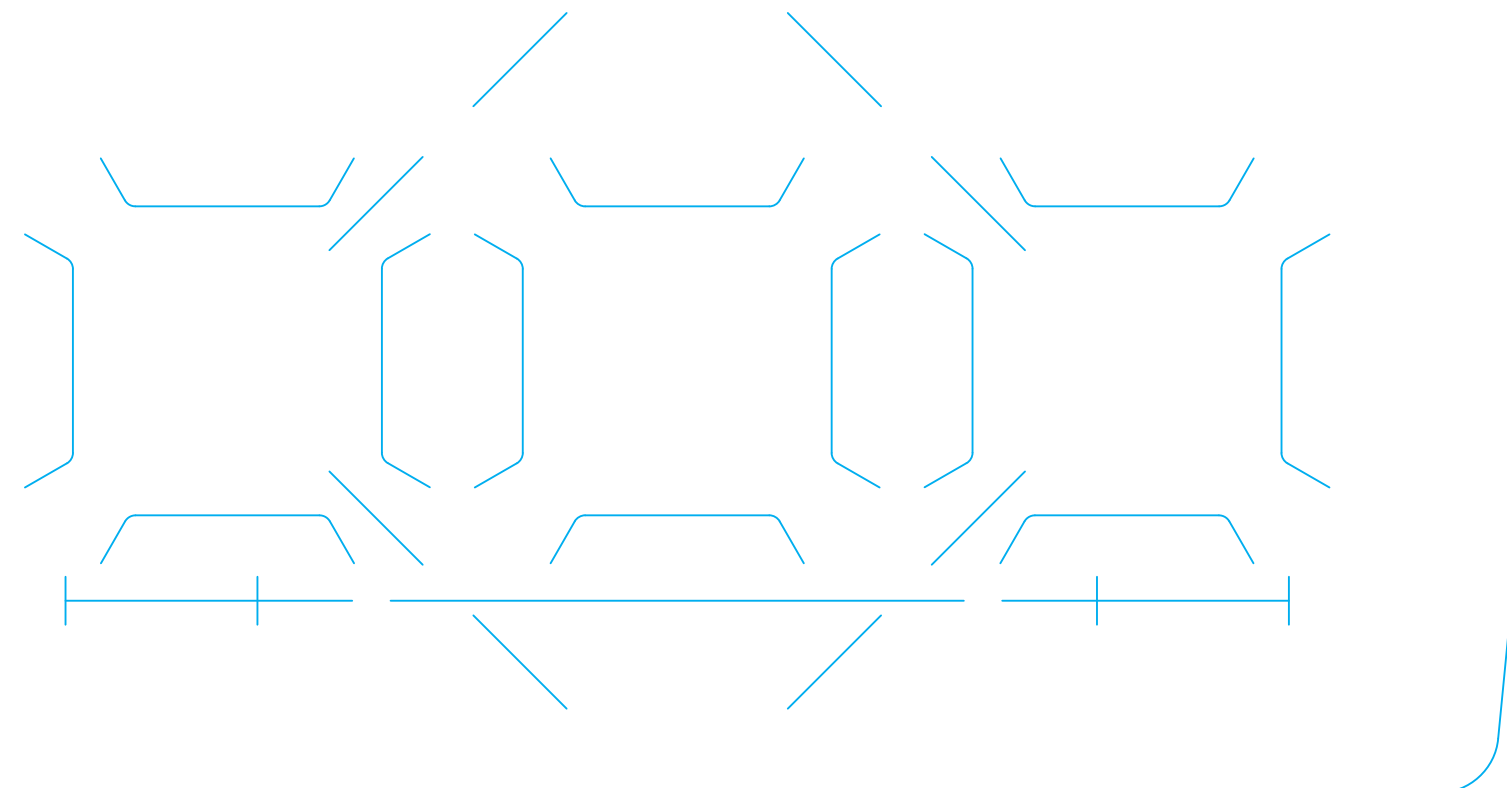


11.75"



COPY DIRECTION
↓

Reinforced Edge - Bleed Only Area
Do Not Place Copy Here



4.5"

BLEEDS:
Extend 1/8" past edge of Dieline

RIGHT POCKET

SECOND SIDE OF PRINTED SHEET

INSIDE FRONT COVER

INSIDE BACK COVER

Do not place copy here.

Blue shaded area will be covered when folded and glued.

Printing on the Inside Panel
Requires Second Side
Print Charges.

Printing on the Inside Panel
Requires Second Side
Print Charges.

Blue shaded area will be covered when folded and glued.

Do not place copy here.

Blue shaded area will be covered when folded and glued.
Do not place copy here.

↑
COPY
DIRECTION

BLEEDS:
Extend 1/8"
past edge
of Dieline

BLEEDS:
Extend 1/8"
past edge
of Dieline

