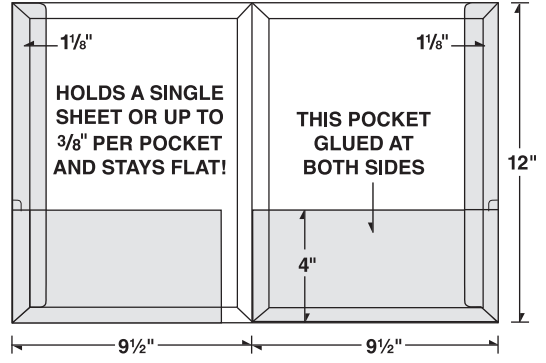
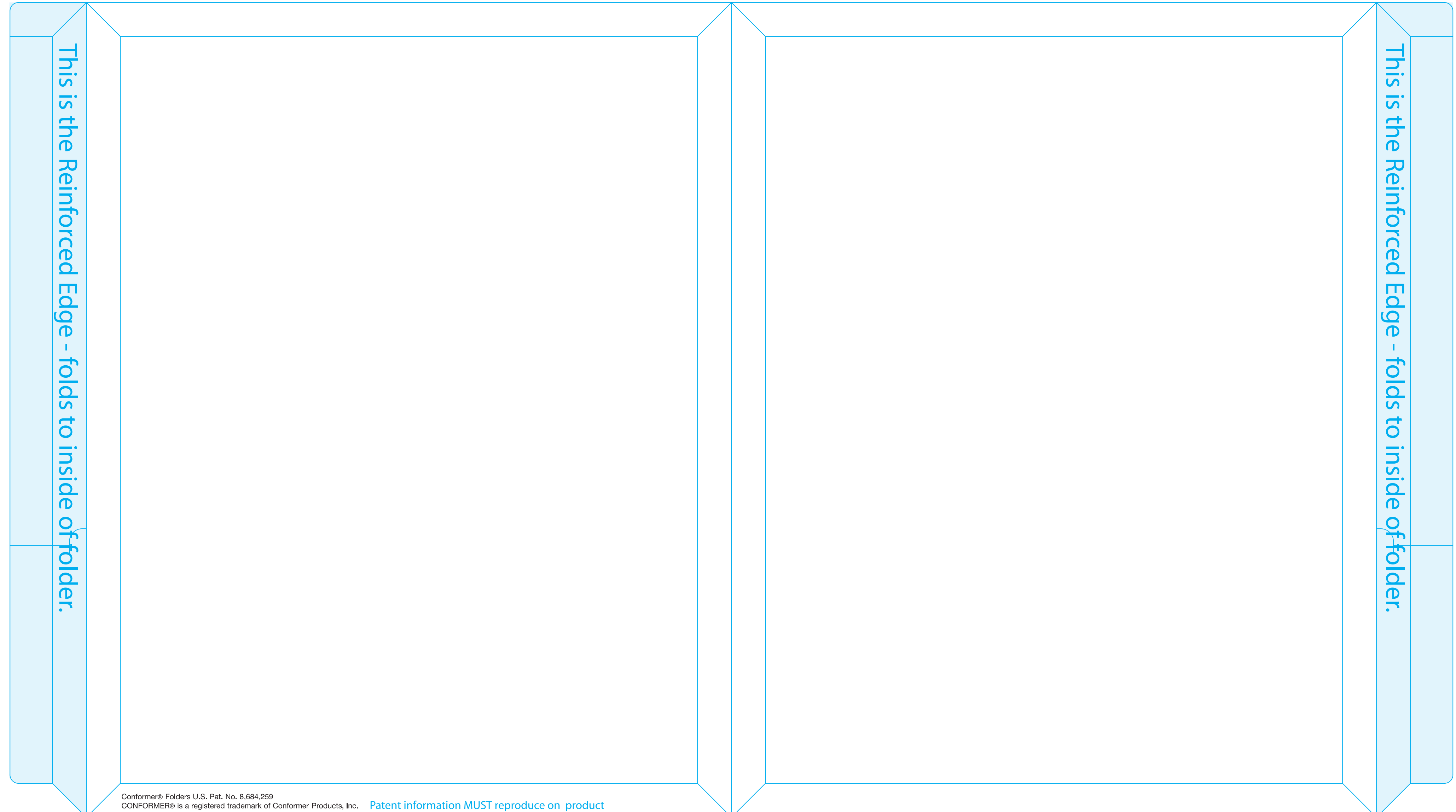


← 1 1/8" → 9 1/2" 9 1/2" 1 1/8" →

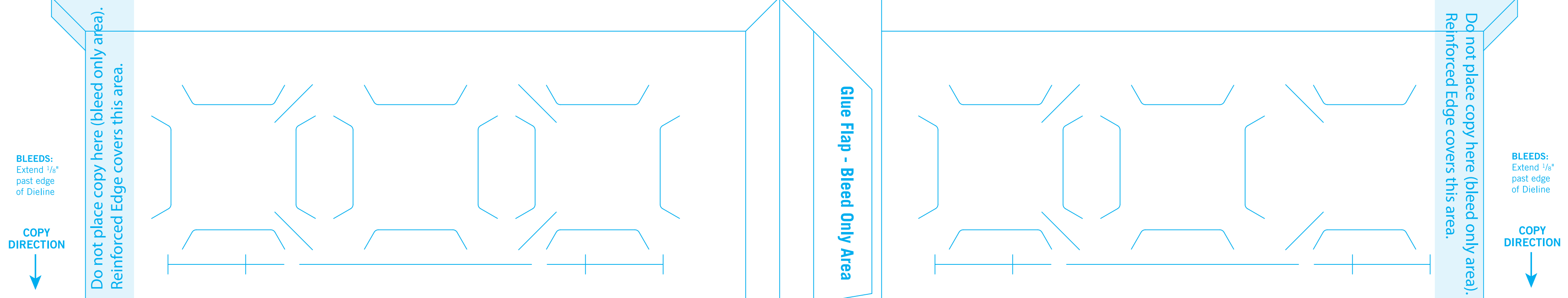
BACK COVER

FRONT COVER



12"

Conformer® Folders U.S. Pat. No. 8,684,259  
CONFORMER® is a registered trademark of Conformer Products, Inc. Patent information MUST reproduce on product



BLEEDS:  
Extend 1/8"  
past edge  
of Dieline

COPY  
DIRECTION

BLEEDS:  
Extend 1/8"  
past edge  
of Dieline

COPY  
DIRECTION

4"

RIGHT POCKET

LEFT POCKET

Glue Flap - Bleed Only Area