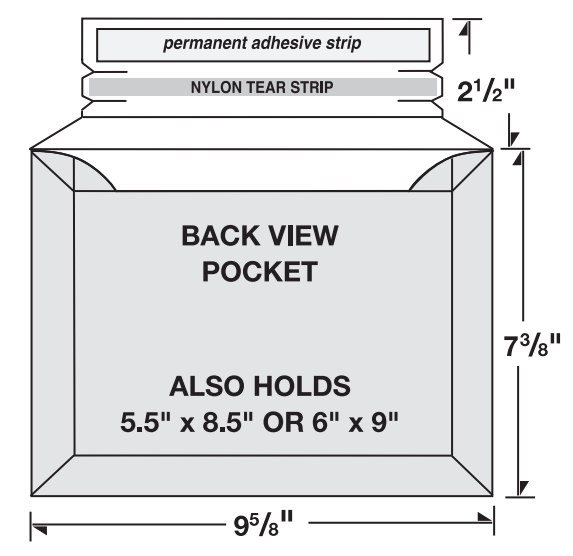


26-16-CON



Designer Tip:
Request a sample before beginning design layout. You may also find it helpful to print a reduced copy, and fold it up. This mini-mockup will help you properly place and arrange artwork.

BLEEDS:
Extend 1/8" past edge of Dieline

CONFORMER® Envelopes U.S. Pat. No. 6,820,799
CONFORMER® is a registered trademark of Conformer Products, Inc.
Patent Information must appear.

NOTE: artwork/color located within this shaded area will also need to be placed in the blue shaded area located next to the glue flap.

NOTE: artwork/color located within this shaded area will also need to be placed in the blue shaded area located next to the glue flap.