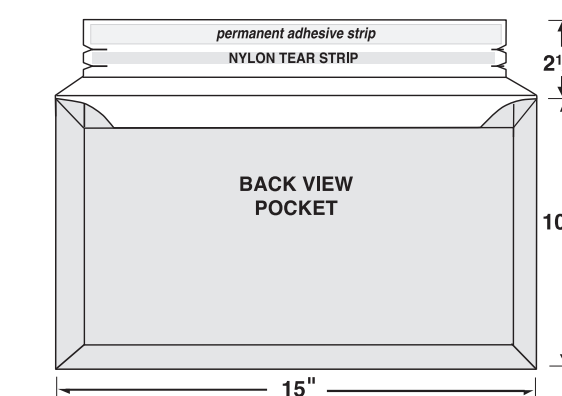


# 16-45-CON



Designer Tip:  
Request a sample before beginning design layout.  
You may also find it helpful to print a reduced copy,  
and fold it up. This mini-mockup will help you  
properly place and arrange artwork.

**BLEEDS:**  
Extend 1/8"  
past edge  
of Dieline

