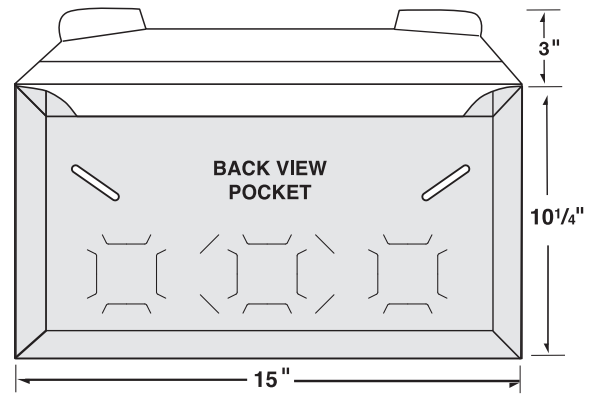


# 16-44-CON



**Designer Tip:**  
Request a sample before beginning design layout. You may also find it helpful to print a reduced copy, and fold it up. This mini-mockup will help you properly place and arrange artwork.

**BLEEDS:**  
Extend 1/8" past edge of Dieline

