

13"

3"

10 1/4"

9 3/4"

BLEEDS:
Extend 1/8"
past edge
of Dieline

FLAP PANEL
↓
COPY
DIRECTION

GLUE FLAP - BLEED ONLY AREA
do not place copy here

GLUE FLAP - BLEED ONLY AREA
do not place copy here

POCKET
PANEL
↓
COPY
DIRECTION

NOTE: artwork/color located within this blue shaded area will also need to be placed in the blue shaded area located next to the glue flap.

NOTE: artwork/color located within this blue shaded area will also need to be placed in the blue shaded area located next to the glue flap.

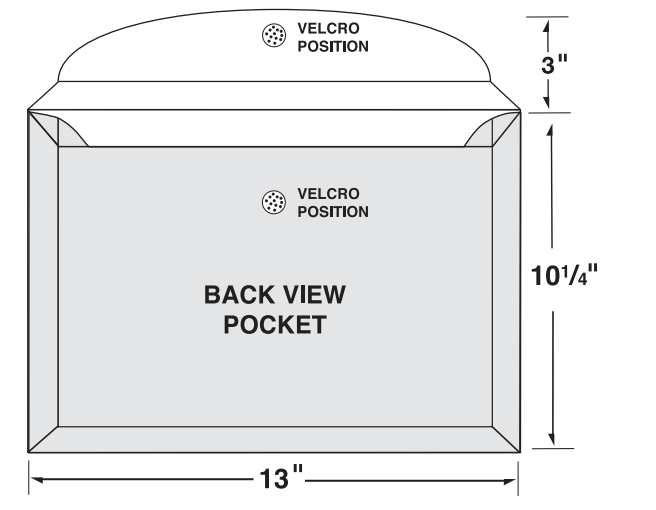
Velcro
placement

Shaded area will be covered by flap when closed/sealed.
Avoid placing important copy in this area.

Conformer® Envelope U.S. Pat. No. 9,952,879
CONFORMER® is a registered trademark of Conformer Products, Inc.

Designer Tip:
Request a sample before beginning design layout.
You may also find it helpful to print a reduced copy,
and fold it up. This mini-mockup will help you
properly place and arrange artwork.

16-15-CON



FACE PANEL
↑
COPY
DIRECTION