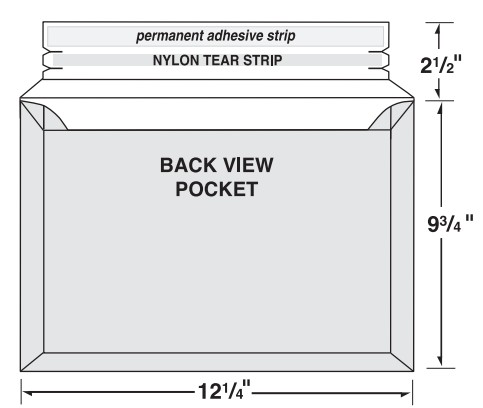


16-11-CON



Designer Tip:
Request a sample before beginning design layout. You may also find it helpful to print a reduced copy, and fold it up. This mini-mockup will help you properly place and arrange artwork.

Patent Information must appear.
Conformer® Envelopes U.S. Pat. No. 6,820,799
CONFORMER® is a registered trademark of Conformer Products, Inc.

NOTE: artwork/color located within this shaded area will also need to be placed in the blue shaded area located next to the glue flap.

NOTE: artwork/color located within this shaded area will also need to be placed in the blue shaded area located next to the glue flap.

Shaded area will be covered by flap when closed/sealed.
Avoid placing important copy in this area.