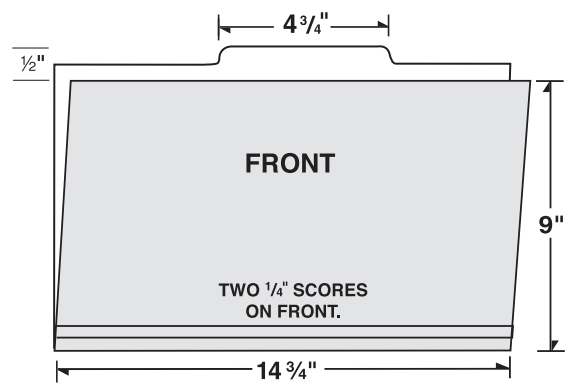
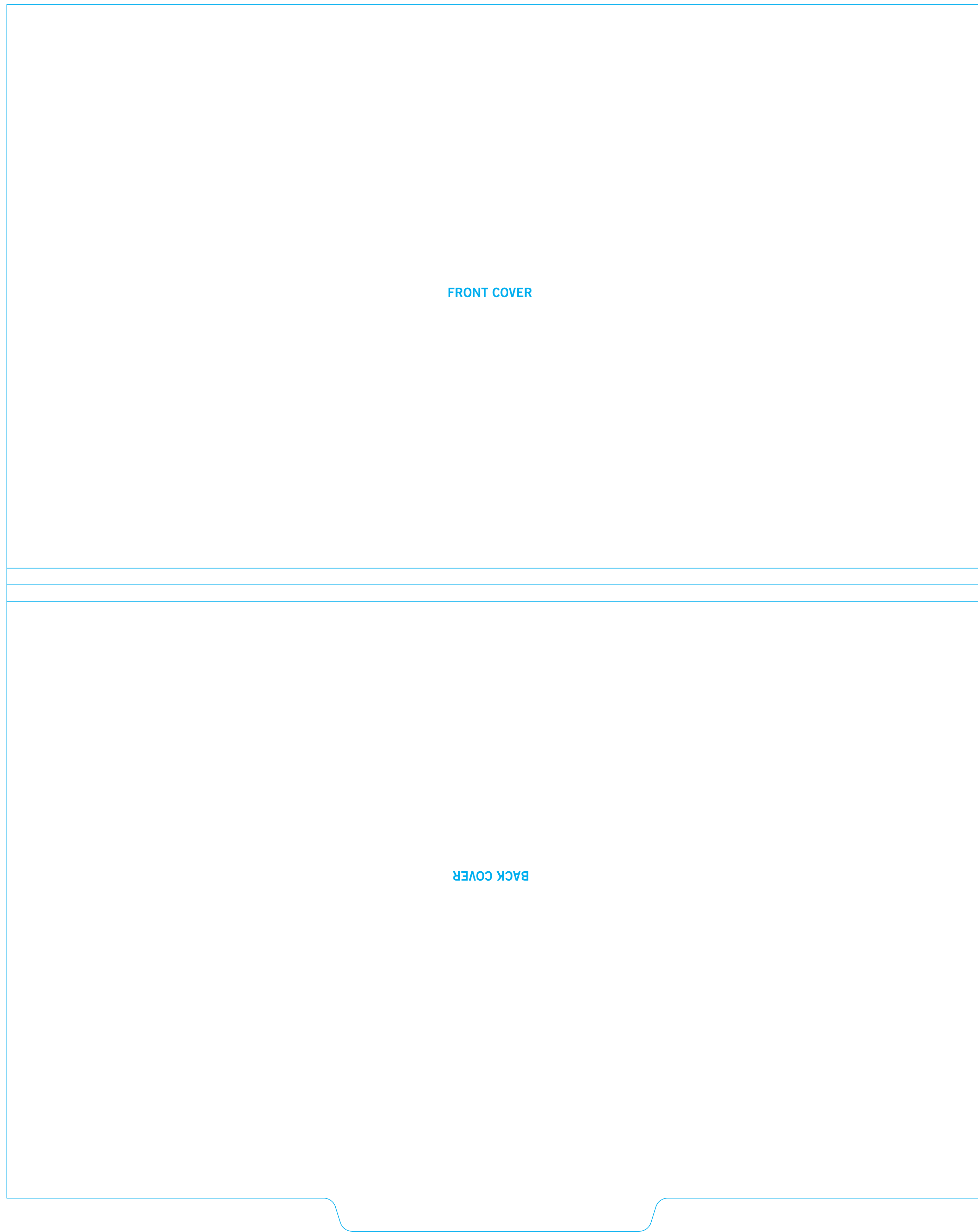


FRONT SIDE OF PRINTED SHEET

09-25-002

14 3/4"



FRONT COVER

BACK COVER

9"

6"

1/2"  
FILE TAB

## SECOND SIDE OF PRINTED SHEET (RSP)

**1/2"**  
FILE TAB

**Printing on the Inside Panels  
requires second side  
print charges.**

INSIDE BACK COVER

INSIDE FRONT COVER