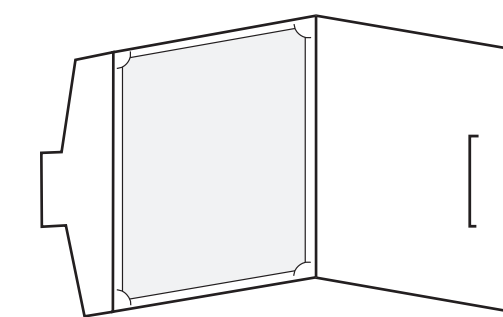
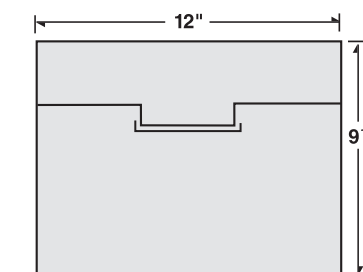


09-10

12"

Shaded area is covered by the outer flap when closed.



NOTE: This item can be used in either landscape or portrait format.

NOTE: When cover is folded backwards, the tuck flap forms an easel stand.

FRONT PANEL

9 7/16"

BLEEDS:
Extend 1/8"
past edge
of Dieline

Standard Slits
Hold 8 1/2" x 11"

BACK PANEL

9 1/2"

FLAP - FOLDS TO OUTSIDE

2 7/8"