

BACK COVER

FRONT COVER

08-62

COPY DIRECTION  
↑

COPY DIRECTION  
↑

BLEEDS:  
Extend 1/8"  
past edge  
of Dieline

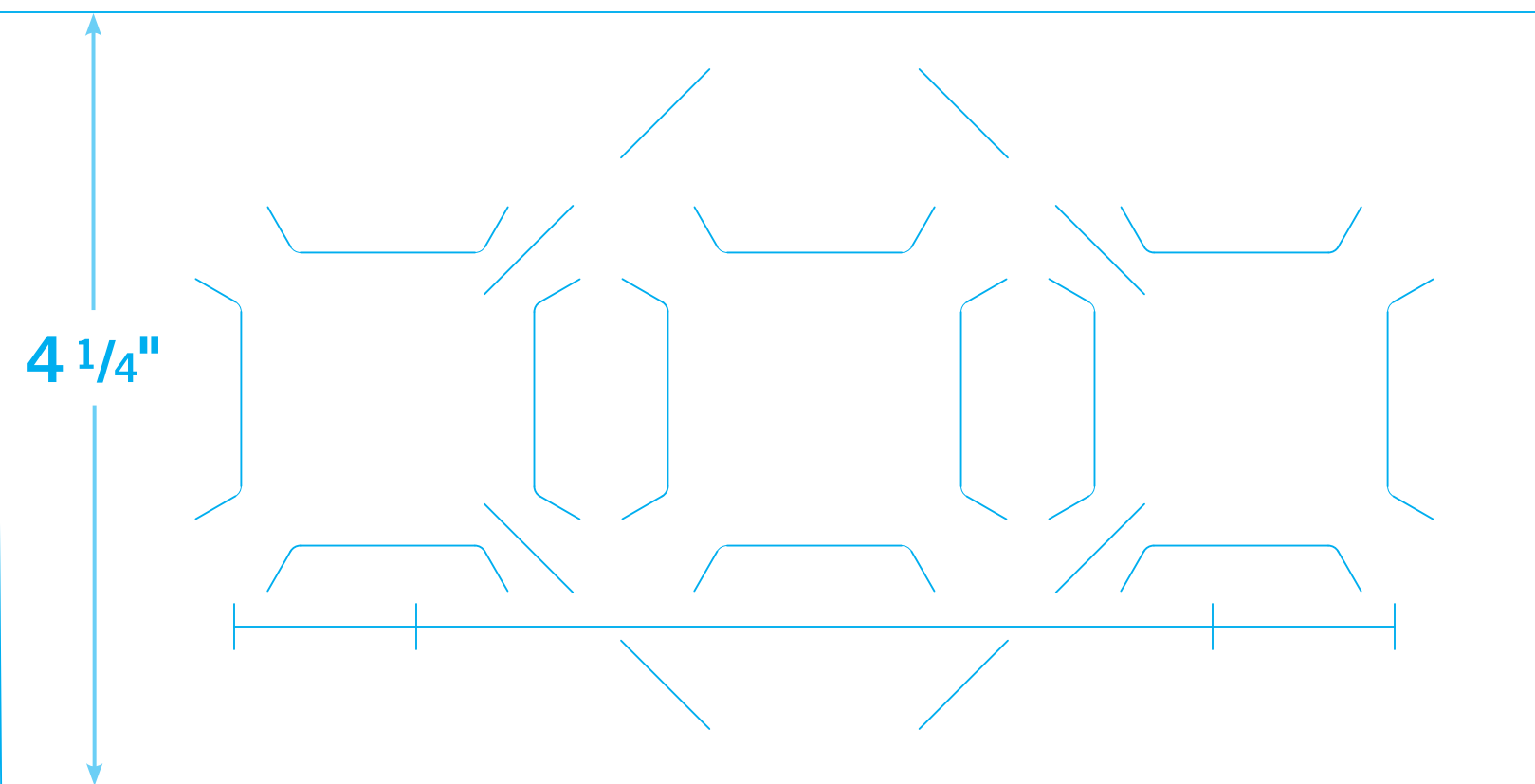
BLEEDS:  
Extend 1/8"  
past edge  
of Dieline

9"

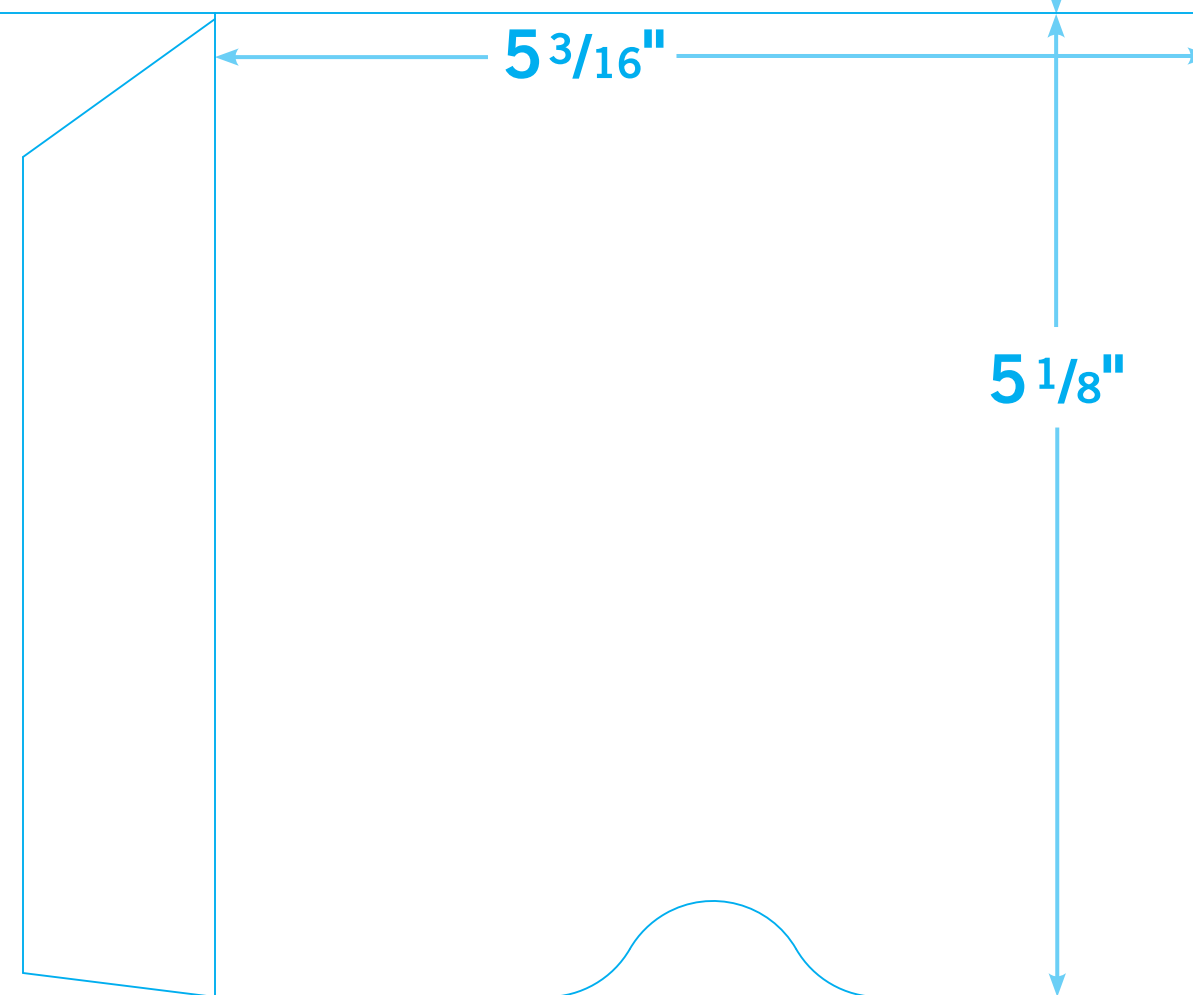
12"

GLUE FLAP - BLEED ONLY AREA  
do not place copy here

GLUE FLAP - BLEED ONLY AREA  
do not place copy here



RIGHT POCKET



LEFT POCKET

COPY DIRECTION  
↓

COPY DIRECTION  
↓

BLEEDS:  
Extend 1/8"  
past edge  
of Dieline

BLEEDS:  
Extend 1/8"  
past edge  
of Dieline

