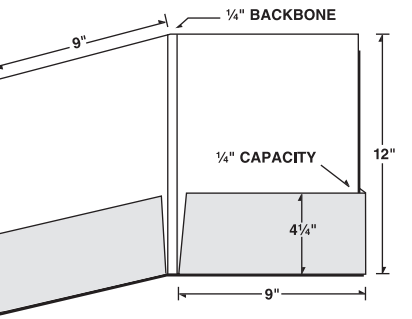


COPY DIRECTION ↑
 BLEEDS: Extend 1/8" past edge of Dieline



COPY DIRECTION ↑
 BLEEDS: Extend 1/8" past edge of Dieline

GLUE FLAP - BLEED ONLY AREA
 do not place copy here

GLUE FLAP - BLEED ONLY AREA
 do not place copy here

COPY DIRECTION ↓
 BLEEDS: Extend 1/8" past edge of Dieline

BLEEDS: Extend 1/8" past edge of Dieline

RIGHT POCKET

LEFT POCKET