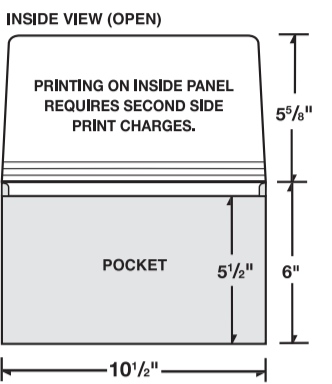
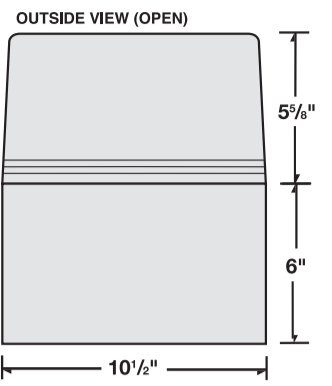
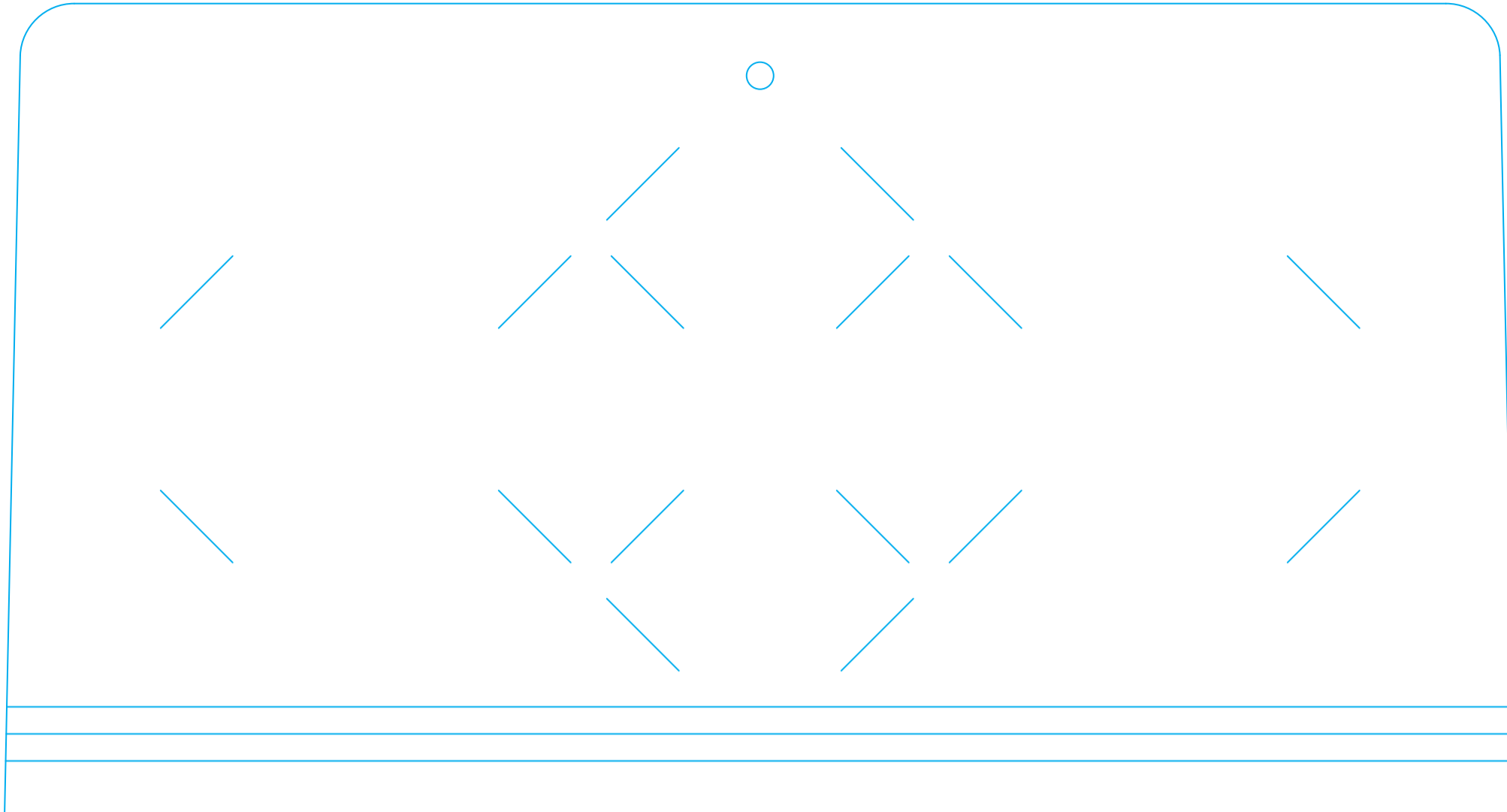


02-10

10 1/2"

FLAP PANEL

COPY DIRECTION



5 5/8"

GLUE FLAP - BLEED ONLY AREA
do not place copy here

GLUE FLAP - BLEED ONLY AREA
do not place copy here

FACE PANEL

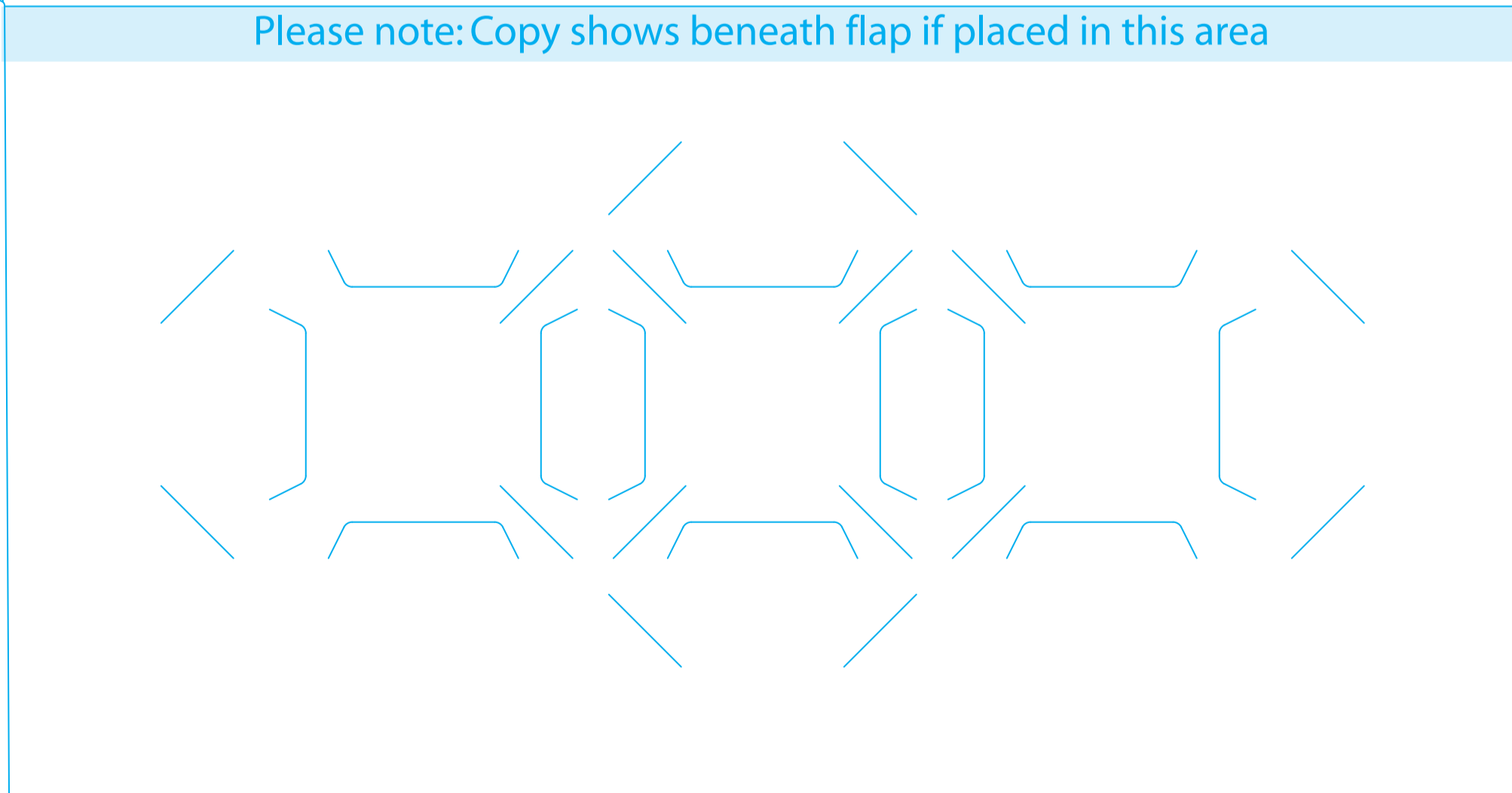
COPY DIRECTION

6"

Please note: Copy shows beneath flap if placed in this area

POCKET PANEL

COPY DIRECTION



5 1/2"